

# N5072 Professional Outdoor HD Network Speed Dome Camera

## 1.3Megapixel / H.264 / 720P Real-Time / 18X



- H.264/MJPEG Dual Codec & Streaming simultaneously
- Up to HD (1280x720 @25fps/1280x720@30fps)
- High Resolution of 600TVL
- 18X in optical zoom (Optional with WDR)
- Digital I/O for External Sensor and Alarm
- Mechanical ICR
- 3D Noise Reduction
- Intelligent Video Analytics
- 3GPP Supported
- IP66 Weather proof

### Specifications

#### Camera

Sensor	1/3" Sony CCD image sensor
Scan Method	Progressive
Horizontal Resolution	600TVL
Number of Effective Pixel (H*V)	Up to 1280x720
Minimum Illumination	Minimum 1.0 Lux(Day)/0.01Lux(Night)
Day and Night	IR-Cut Filter Removable (ICR)
Zoom Ratio	18X in Optical Zoom
Number of the Preset Positions	64
Tour	5
Preset Position Speed (Max.)	0°~500° under 1second
Preset Accuracy	±0.07°
Pan / Tilt Angle	360°/90°
Manual Speed	0.01°~300°
Preset Points and Sequence	8 groups, 220 programmable preset points

#### Intelligent Video

Compression	H.264, 3GPP
Resolution	H.264 : 1280x720/640x352/320x176/192x112 MJPEG: 1280x720/640x352/320x176
Video Framerate	30fps@HD resolution (NTSC) 25fps@HD resolution (PAL)
Bitrate control	Both CBR and VBR
Multi-streams	Maximum 3 video streams: (for recording, preview and 3GPP) 1280x720 H.264@30fps / 640x352 H.264@25fps 1280x720 MJPEG@15fps

#### Video Processing

Privacy mask	Yes
Motion detection	Yes
OSD	Yes
De-noise	3D

#### Audio

Compression	G.711/ADPCM
-------------	-------------

#### Network

Streaming Protocols	RTSP/RTP/UDP, RTSP/RTP/TCP, RTSP/RTP/HTTP tunneling, LAN Multicast, Multipart-JPEG
Supported Protocols	IPv4, HTTP, UDP, TCP, ICMP, IGMP, ARP, DHCP, NTP, SMTP, FTP, SAMBA, UPnP, PPPoE, DNS, DDNS, RTSP, RTP, RTCP
3GPP Mobile Surveillance	Yes

#### Processors and Memory

CPU	ARM9 SOC
Flash and Memory	16MB NOR flash, 256MB DDRII

#### I/O and Connectors

LAN	1x RJ45 Ethernet connector
Audio	1x Audio Line-in, 1x Audio Line-out
Alarm I/O	1x Alarm-in, 1x Alarm-out

#### Software Compatibility

Browser	Internet Explorer 6.0 or above
Application Software	VMS Application Software
OS supported	Microsoft Windows 2000, XP, Vista, Windows 7

#### Feature

User Setting  
Date/ Time Setting  
Video image control  
Upload configuration  
Dynamic DNS  
Motion Detection  
Events  
Triggered Actions  
Blind Detection  
Privacy Mask

#### Open API

CGI commands to control camera  
Media SDK to handle streaming

#### Power

Power	AC24V±10%
Power Consumption	50W
Heater	Automatic

#### Dimension

337mm(W) x 336mm(H) , 202mm(Φ)

#### Weight

5.2kg

#### Operating Environment

Operating temperature	0°C~ +50°C (Indoor)
Operating temperature	-35°C~ +60°C (Outdoor)
Humidity	0% ~ 95% non-condensing

#### Certification

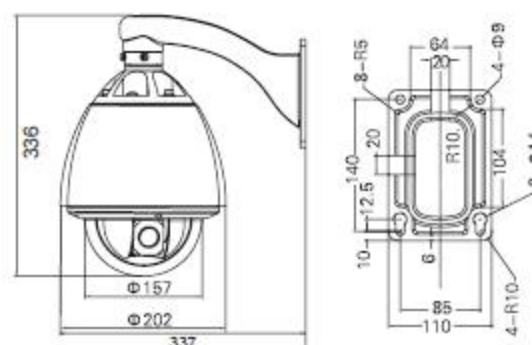
CE, FCC Class A, RoHS, IP66

#### Warranty

24 months

Member of    

### Dimension Diagram



### Distributed by: