

# IR Tube Camera

## Middle Distance Viewing IR Camera

HS-CT7142/HS-CT7143/HS-CT7144/HS-CT7145/  
HS-CT7146/HS-CT7147 Coming soon

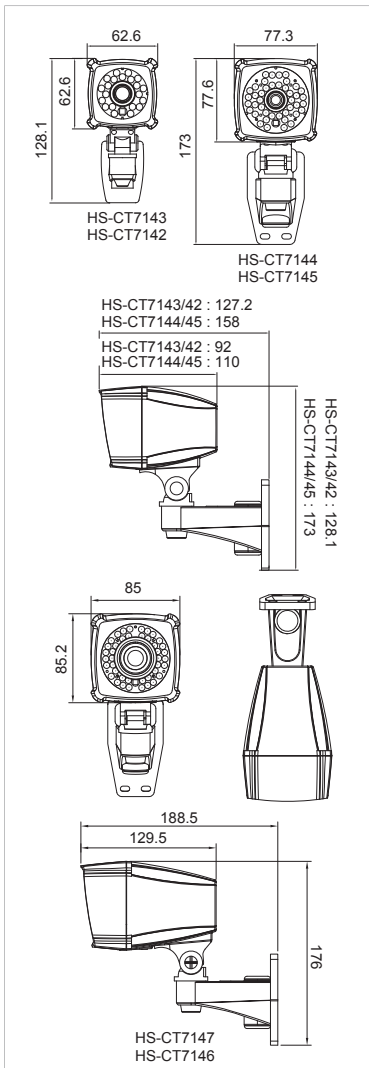


- With 600TV Lines Resolution (HS-CT7143 / HS-CT7145 / HS-CT7147).
- With 420 TV Lines Resolution (HS-CT7142 / HS-CT7144 / HS-CT7146 ).
- IR Distance Viewing for 30M and 15M.
- Various Angle LED Combination:
  - Uniform IR Light Distribution for optimum viewing angle.
- Photodiode Design for Accurate IR LED Trigger Activation.
- Enhanced Picture Quality / Longer Life Time.
- Aluminum design for better heat dissipation.
- Wall Mounted Supported with proper image adjustment.
- Streamline Outlook with Hidden Cable design.
- Double Glass: Effectively Reducing the Internal Reflection.
- Lens Shading Compensation(HS-CT7143 / HS-CT7145 / HS-CT7147).
- 2DNR(Digital Noise Reduce) (HS-CT7143 / HS-CT7145 / HS-CT7147).

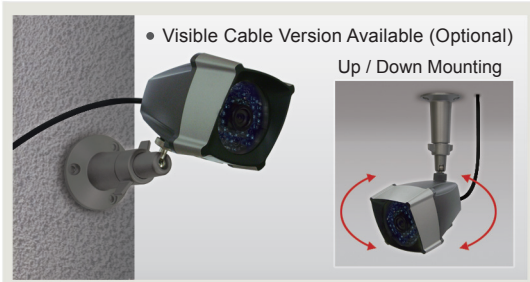
### Specifications

Model	HS-CT7143	HS-CT7145	HS-CT7147	HS-CT7142	HS-CT7144	HS-CT7146
Pick up device	1/3" SONY Super HAD CCD 1/3" SONY Super HAD CCD II					
Total Pixels	NTSC:811(H)x508(V) / PAL:795(H)x596(V)			NTSC:537(H)x505(V) / PAL:537(H)x597(V)		
Effective Pixels	NTSC:768(H)x494(V) / PAL:752(H)x582(V)			NTSC:510(H)x492(V) / PAL:500(H)x582(V)		
Resolution	600 TV lines			420 TV lines		
Synchronization	Internal					
Scanning System	2:1 Interlace					
S/N Ratio	More than 50 dB(AGC OFF)			More than 48 dB(AGC OFF)		
Electronic Shutter	Auto/1/60 (1/50) ~1/100,000 sec.					
Min. Illumination	0.1 lux color / F2.0 (50IRE)			0.3 lux color / F2.0 (50IRE)		
Video Output	1.0 Vp-p / 75 ohm composite					
IR Distance	15M (21pcs IR LED)	30M (42pcs IR LED)	15M (21pcs IR LED)	30M (42pcs IR LED)	15M (21pcs IR LED)	30M (42pcs IR LED)
IR Trigger	7 Lux ± 3 Lux IR ON / OFF					
Auto White Balance	2000°K~11000°K			2400°K~9400°K		
Day & Night	External					
Smart IR	Auto			N / A		
Lens Type	Board Lens 3.6mm / F2.0	Vari Focal Lens 2.8~12mm/F1.2	Board Lens 3.6mm / F2.0	Vari Focal Lens 2.8~12mm/F1.2	Board Lens 3.6mm / F2.0	Vari Focal Lens 2.8~12mm/F1.2
2DNR	ON			N / A		
Power Source	DC12V±10% / 1A					
Power Consumption	2.88W	4.08W	2.88W	4.08W	2.88W	4.08W
Current	240mA (Max)	340mA (Max)	240mA (Max)	340mA (Max)	240mA (Max)	340mA (Max)
Operating Temperature	-10°C ~ 50°C (14°F ~ 122 °F)					
Storage Temperature	-20°C ~ 70°C (-4°F ~ 158°F)					
Dimension	62.6(W) x 128.1(H) x 92(D)mm	77.3(W) x 173(H) x 110(D)mm	85(W) x 176(H) x 129.5(D)mm	62.6(W) x 128.1(H) x 92(D)mm	77.3(W) x 173(H) x 110(D)mm	85(W) x 176(H) x 129.5(D)mm
Weatherproof	IP67		IP66	IP67		IP66

### Dimension Unit : mm



### Optional



### Easy camera adjustment

- HS-CT7147 / HS-CT7146

