

1/3" Color Weatherproof IR Camera Built-in Vari-Focal Lens

MODEL: IR2-451V



■ ADJUSTMENT

1. NEAR ↔ FAR (Focus Adj.)
2. WIDE ↔ TELE (2.8-12mm Adj.)

■ APPLICATIONS

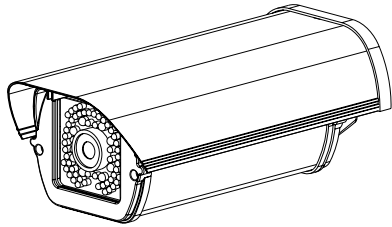
- Long range IR illumination for outdoor and open spaces.
- Perimeter security, building entrances, parking lots.

■ FEATURES

- Bullet color camera with SONY 1/3" 960H Super HAD II high resolution CCD sensor.
- Employs Digital Signal Processor (DSP) chip-set for image control.
- Horizontal resolution of 700TVL. Pixel number: NTSC=480K / PAL=570K.
- High sensitivity, low smear, high anti-blooming and high S/N ratio.
- Built-in anti-aliasing and IR-pass (850nm) optical filter.
- Built-in IR-LED x 48 units, CCD color image automatically changes into B/W image in low light environments.
- Controlled by OSD (On Screen Display) menu in 8 languages.

■ SPECIFICATIONS

Model	IR2-451V
Image Pick-up Device	SONY 1/3" 960H Super HAD II CCD High Resolution
Effective Picture Elements	NTSC: 976*494, PAL: 976*582 (H*V)
Horizontal Resolution	700 TV lines
Minimum Illumination	0.01LUX / F1.4, 0 LUX / IR
S/N Ratio	More than 54 dB
Control	OSD (On Screen Display) Control on Cable
Language	English, Français, Deutsch, Español, Português, Русский, 日本語, 中文
Auto Electronic Shutter	NTSC: 1/60s~1/100,000s, PAL: 1/50s~1/110,000s
Gain Control	OFF / LOW / MIDDLE / HIGH
White Balance	ATW (1,800°K~10,500°K)
Gamma Characteristic	0.45
Basic Functions	Lens Selection: [DC / Manual] Shutter Selection: [Auto, 1/60, FLK, 1/250, 1/500, 1/1000, 1/2000, 1/4000, 1/5000, 1/10000, 1/100000] White Balance: ATW / AWB / AWC / ANTI.CRL / Manual Selection BLC: OFF/BLC/HLC/ Selection D&N: Color / Auto / BW / EXT Selection DPC (Dead Pixel Correction)
Extend Functions	Camera ID : ON / OFF Motion Detection : ON / OFF (4 areas, Position / Size / Sensitivity) Privacy Zone : ON / OFF (8 Zones, Position / Size / Color) PARK.LINE : ON / OFF Mirror : ON / OFF 2DNR : ON / OFF DWDR : ON / OFF LENS SHADING : ON / OFF NEG. IMAGE : ON / OFF DISPLAY : CRT / LCD / USER
Lens Furnished	1.3 Mega Pixel 2.8~12mm / F1.4 Vari-Focal Lens
Synchronous System	Internal, Negative Sync.
Video Output	1 Vp-p Composite Video / 75 ohm
Power Supply	DC12V (Option: Built-in AC110V / AC230V Power Adaptor)
Operating Temp.	-10°C to 50°C (14°F to 122°F)
Water Resistance	IP66
IR LED / Projection Distance	48 Units of High Efficiency 850nm IR LED / 50 Meters
Dimensions	312*146*115mm (L*W*H)

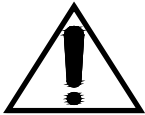


Installation Instructions

- (1) Connect the video output wire between monitor and camera through 75ohm type coaxial cable.
- (2) Connect the power cord input.

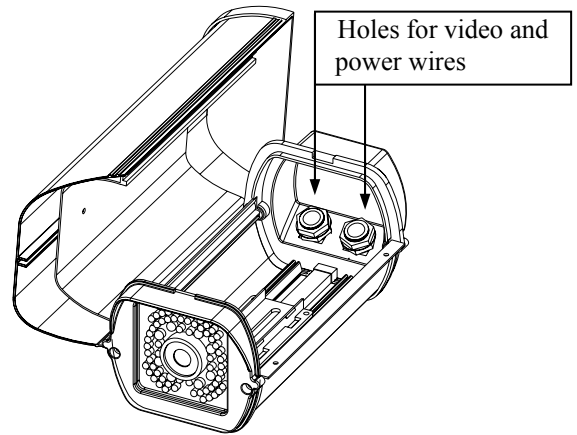


The lightning flash with arrowhead symbol, within an equilateral triangle, is intended to alert the user to the presence of uninsulated "dangerous voltage" within the product's enclosure that may be of sufficient magnitude to constitute a risk of electric shock to persons.

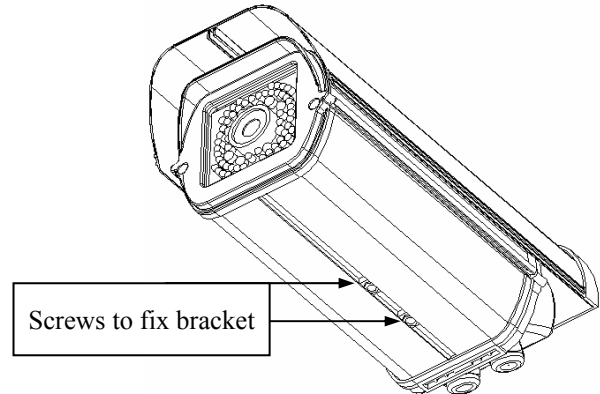


The exclamation point within an equilateral triangle is intended to alert the user to the presence of important operating and maintenance (servicing) instructions in the literature accompanying the appliance.

- ▲ Before attempting to connect this product, please read and keep this manual for future use.



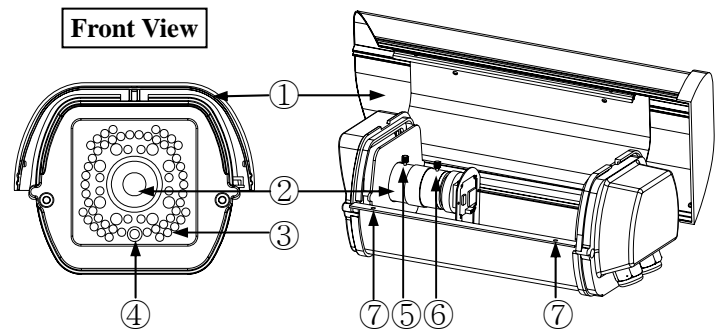
- (3) Fix camera to the bracket.



Safety Warning

1. Ask a qualified service person for maintenance when you encounter any problems.
2. Install the camera away from TV, radio transmitter, magnet, electric motor, transformer, audio speakers because the magnetic fields generated from above devices will distort the video image.
3. Place this camera on a solid base. Install the camera away from stoves or other heat generating devices as the high temperature could cause deformation, discoloration or other damages to the camera. Install the camera at where the temp. range will stay between -10°C~50°C (14°F~122°F)
4. Do not expose and operate the camera in the rain and humid areas.
5. Only use soft dry cloth to clean the camera. Also use lens tissue or cotton tipped applicator and ethanol to clean glass.

Parts Names



- ① Sunshield
- ② Camera Lens
- ③ High efficiency infrared LED
- ④ CDS control
- ⑤ Far / Near Adjustment
- ⑥ Wide / Tele Adjustment
- ⑦ Lift lid: Unscrew to open