



AVM500

2MP Box IP Camera

ETS

** Lens optional*

FEATURES

- **Quick network setup** with your **iPhone / iPad / Android** mobile device
- **External alarm I/O device connection**
 - For more accurate detection
 - Possible to enable active event notifications to your iPhone, iPad & Android mobile devices (**Push Video**) when used with **AVTECH Push Video NVR series**
- **WDR** support to make everything still visible and clear in a scene where exists both bright and dark areas
- **IR Shift** support for day & night surveillance
- **Micro SD card** support for video storage
- **POE (Power-over-Ethernet)** support to eliminate the use of power cables and reduce installation costs
- **ONVIF** standard supported to simplify system integration
- **Microphone built-in** for audio recording
- **Remote Surveillance**
 - **Fully compatibility** on **iPhone & iPad**, and **Internet Explorer** on Windows operating system

SPECIFICATIONS

■ Network	
Network Compression	H.264 (Main Profile) / MJPEG
Multiple Video Streaming (Encode Modes, IPS, Resolution)	YES
LAN Port	YES
LAN Speed	10/100 Based-T Ethernet
Supported Protocols	DDNS, PPPoE, DHCP, NTP, SNTP, TCP/IP, ICMP, SMTP, FTP, HTTP, RTP, RTSP, RTCP, IPv4, Bonjour, UPnP, DNS, UDP, IGMP, QoS
ONVIF Compatible	YES (Profile S)
Frame Rate	WDR 30 / 25 fps
Number of Online Users	10
Security	(1) Multiple user access levels with password (2) IP address filtering (3) Digest authentication
Remote Access	(1) Internet Explorer on Windows operating system (2) 16CH Video Viewer on Windows & MAC operating system (3) EagleEyes on iPhone, iPad & Android mobile devices
■ Camera	
Image Sensor	1/ 2.9" SONY CMOS image sensor
Video Resolution	1920 x 1080; 720 x 480; 352 x 240

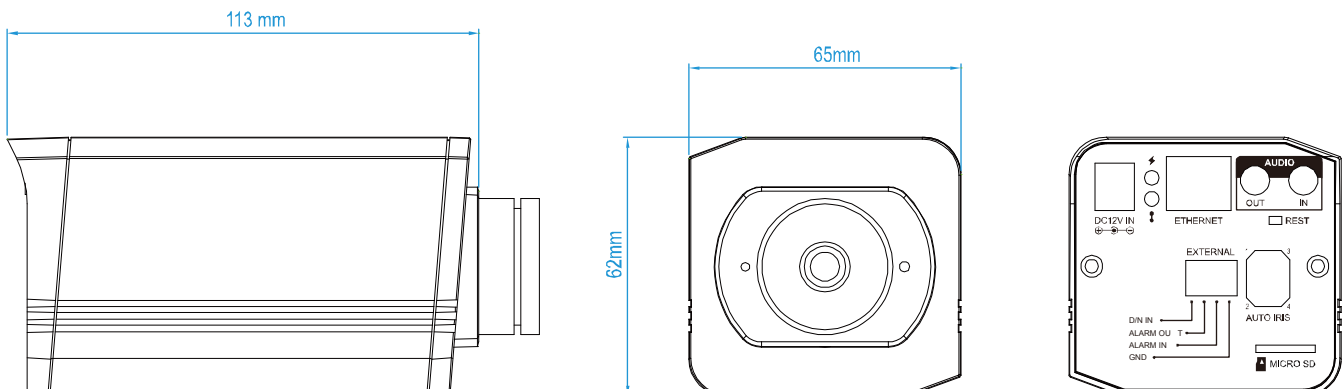


SPECIFICATIONS (CONTINUED)

■ Camera	
Min Illumination	0.1 Lux / F1.5
Shutter Speed	1 / 60 (1/50) to 1 / 100,000 sec.
S/N Ratio	More than 48dB (AGC off)
Lens Mount	C/CS Mount (MBLF >= 3.57mm)
Viewing Angle	73.2°(Horizontal) / 47.4°(Vertical) / 85.4°(Diagonal) (Base on f3.8mm fixed Lens)
IR Shift	YES
White Balance	ATW
AGC	Auto
IRIS Mode	AES / DC Iris
WDR	YES
POE	YES (IEEE 802.3af)
Micro SD Card Slot	YES
External Alarm I/O	YES
Microphone	YES
Line in / out	YES
Power Source (±10%)	12V / 1A
Operating Temperature	0°C~40°C
■ Others	
Mobile Surveillance	iPad / iPhone / Android mobile device
Motion Detection	YES
Event Notification	FTP / Email / SMS
RTC (real-time clock)	YES
Digital Pan / Tilt / Zoom	YES
Minimum Web Browsing Requirements	<ul style="list-style-type: none"> • Intel core i3 or higher, or equivalent AMD • 2GB RAM • AGP graphics card, Direct Draw, 32MB RAM • Windows 7, Vista & XP, DirectX 9.0 or later • Internet Explorer 7.x or later

*The specifications are subject to change without notice.

DIMENSIONS**



** Dimensional tolerance: (± 5mm)