



# AVM359A

## 1.3 MP Vari-focal Solid Light IP Camera

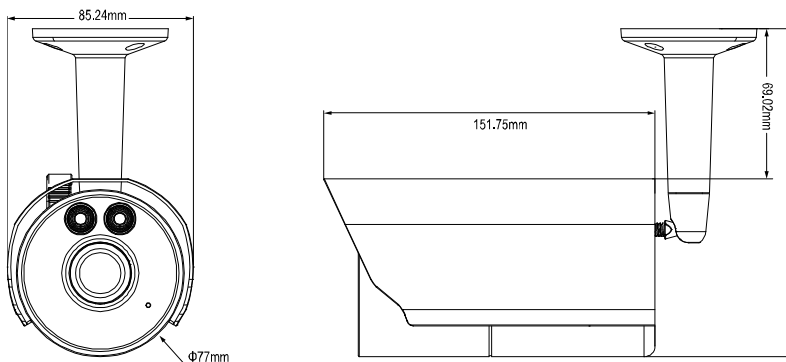


# ETS

### FEATURES

- Equipped with a **vari-focal lens of f2.8 ~ 12mm**, suitable for various monitoring environments
- **Solid Light** series featuring better overexposure prevention (Advanced Smart Light Control), automatic adjustment of image brightness, and longer lifetime of LEDs
- Micro SD card support for **video storage**
- **External alarm I/O device connection**
  - For more accurate detection
  - Possible to enable active event notifications to your iPhone, iPad & android mobile devices (**Push Video**) when used with **AVTECH Push Video NVR series**
- **POE (Power-over-Ethernet)** support to eliminate the use of power cables and reduce installation costs
- **ONVIF** standard supported to simplify system integration
- IR LED built-in for **night surveillance** with max effective range up to 35 meters

### DIMENSIONS (mm)



\*Dimensional tolerance:  $\pm 5$ mm



## SPECIFICATIONS

■ Network	
LAN Port	YES
LAN Speed	10/100 Based-T Ethernet
Supported Protocols	DDNS, PPPoE, DHCP, NTP, SNTP, TCP/IP, ICMP, SMTP, FTP, HTTP, RTP, RTSP, RTCP, IPv4, Bonjour, UPnP, DNS, UDP, IGMP, QoS
Number of Online Users	10
Security	(1) Multiple user access levels with password (2) IP address filtering (3) Digest authentication
Remote Access	(1) Internet Explorer on Windows operating system (2) EagleEyes on iPhone, iPad & Android mobile devices
■ Video	
Video Compression	H.264 / MPEG4 / MJPEG
Resolution	SXGA, 720P, VGA, QVGA
Frame Rate	30fps
Multiple Video Streaming	3 (H.264, MJPEG, MPEG4)
■ General	
Image Sensor	1/4" SONY H.R. image sensor
Min Illumination	1 Lux / F1.4, 0 Lux (LED ON)
S/N Ratio	More than 48dB (AGC off)
Electronic Shutter	1/2 to 1/10,000 sec
Lens	f2.8 ~ 12mm / F1.4 ~ F2.8
Viewing Angle	Wide: 66° (Horizontal) / 52° (Vertical) / 90° (Diagonal) Tele: 16° (Horizontal) / 10° (Vertical) / 22° (Diagonal)
IR LED	2 Units
IR Effective Range **	Default : up to 25 meters IR Enhanced Mode : up to 35 meters
IR Shift	YES
IRIS Mode	AES
White Balance	ATW
AGC	Auto
Micro SD Card Slot	YES
IP Rating	IP66
Operating Temperature	-20°C ~ 40°C
Power Source (±10%)	12V / 1.5A
Current Consumption (±10%)	11W (IR On)
■ Others	
Mobile Surveillance	iPad / iPhone / Android mobile device
ONVIF Compatible	YES
POE (Power-over-Ethernet)	YES (IEEE 802.3af)
Event Notification	FTP / Email / SMS
External Alarm Device Connection	YES
Digital Pan / Tilt / Zoom	YES
Motion Detection	YES
RTC (real-time clock)	YES
Minimum Web Browsing Requirements	<ul style="list-style-type: none"> <li>• Intel core i3 or higher, or equivalent AMD</li> <li>• 2GB RAM</li> <li>• AGP graphics card, Direct Draw, 32MB RAM</li> <li>• Windows 7, Vista &amp; XP, DirectX 9.0 or later</li> <li>• Internet Explorer 7.x or later</li> </ul>

\*The specifications are subject to change without notice

\*\* Using IR enhanced mode and slow shutter speed, the distance can be extended even longer.