

Specification		
RF Frequency	125KHz	13.56MHz
Compliance (Option)	--	<input type="checkbox"/> ISO 14443A <input type="checkbox"/> ISO 15693 <input type="checkbox"/> ISO 14443A/B + 15693
Power Consumption	12VDC / 100mA	< 3W
Proximity Reading Range	10-18cm (125KHz)	3-8 cm (13.56MHz)
Voltage	9-16VDC	
Communication Interface	RS-485	
Baud Rate	9600 bps (N, 8, 1)	
Operation Temperature	-20°C to +75°C	
DI Input	Egress Button / Door Sensor	
Relay Output	Door Relay	
Trasistor Output	Card Present / Duress	
Door Relay Time	0-600 sec.	
Alarm Relay Time	0-600 sec.	
Tamper Resist. Switch	Switch (Form C)	
Aux. WG Port	WG 26/34, ABA-II,	
Serial Out	TTL (4800bps, N, 8, 1) (shared with alarm Output)	
Indicator	1 bi-color LED and 1 beeper	
Real Time Clock	Yes	
Color	Gray / Silver	
Dimension (mm)	111(H)*77(W)*26(H)	
N. Weight (g)	100±10	
Housing Material	ABS	



**Stand-Alone**

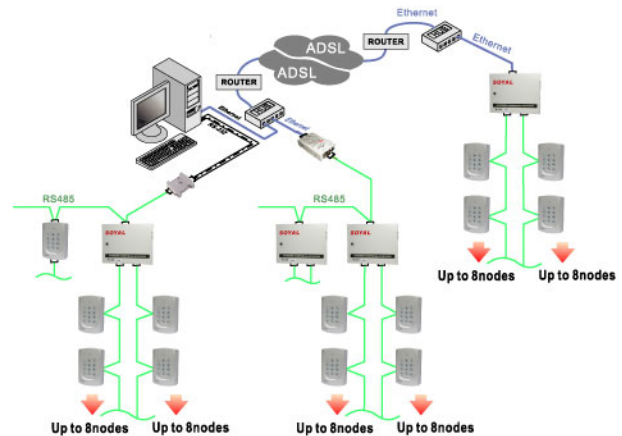
**Networking**

**125kHz**

**Mifare**

**Weatherproof**

### System Architecture



**M4 / M8**    ✓ Stand-alone    ✓ Networking    ✓ Event Log

User Capacity ----- 1,024

Anti-pass-back ----- 1,024

Lift Control ----- 32 / 1,024

**M6**    ✓ Stand-alone

User Capacity ----- 65536

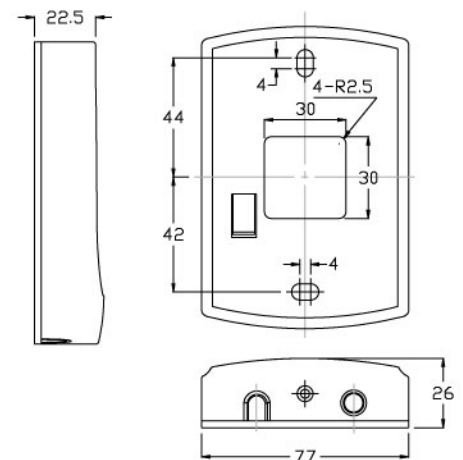
#### Access Mode

**M4** ----- Card only, Card+PIN, Address+PIN

**M6\*** ----- Card only, Card+PIN, PIN only

**M8** ----- Card only, Card+PIN, PIN only

### Dimension



### Product Selection and Part Number (How To Order)

Item No. AR-7XX

Housing	RF Frequency	RTC	Communication	Waterproof	Color	Language
H=Controller+Reader	A=Don't Care(TTL)	R=Built-in RTC	0=None	N=No	1=Silver	0=OEM
U=Reader	B=125KHz	X=Without RTC	1=RS485	1=Weatherproof	2=Gray	1=English/Chines (STD)
K=Keypad	C=13.56MHz		2=RS232	2=Waterproof	3=Blue	2=Chinese
P=Programmer	D=13.56MHz(MF1)		3=Wiegand		4=Black	
W=Card holder	+Purse		4=ABA		5=Ivory	
D=Lock	E=13.56MHz(SL1)		5=Ethernet		6=OEM	
	F=13.56(ISO 15693)		6=Blue Tooth			
			7=GSM			
			8=USB			
			9=1394			