

CONTROLLER + READER

Stand-Alone Support /
Networking support

AR-725H/ AR-725H-M

Specifications

Frequency	125kHz	13.56MHz
Compliance (optional)	EM Standard	<ul style="list-style-type: none"> •ISO14443A •ISO15693 •ISO14443A/B + 15693
Proximity Reading Range	10-15cm(725H) 5-9cm(725H-M)	3-8cm(725H) 2-5cm(725H-M)
Voltage	10-24 VDC	
Power Consumption	<3W	
Communication Interface	RS-485	
Baud Rate	9600 bps (N, 8, 1)	
Operating Temperature	-20°C to +75°C	
Digital Input	1 Egress Button / 1 Door Sensor	
Transistor Output	Duress/Alarm/Arming LED	
Relay Output	Door Relay	
Door Relay Time	0, 0.1-600 sec.	
Alarm Relay Time	0, 1 - 600 sec.	
Tamper Resist. Switch	Limit Switch (Form C)	
User Capacity	M4 /M8	1,024
	M6	65,535
Event Log	M4 /M8	1,200
	M6	-
Aux. WG Port	WG 26/34, ABA-II	
Anti-pass-back (M4 /M8)	1,024	
Lift Control (M4 /M8)	32 stops, 1,024 users	
Serial Out	TTL (4800 bps, N, 8, 1)	
Real Time Clock	Yes	
Weatherproof	IP54	
Indicator	1 bi-color LED and 1 beeper	
Keypad	Touch Panel	
Housing Material	PC RESIN(725H)+Zinc Alloy(725H-M)	
Color	Black / Gray / Silver / Blue / Red / Orange / White / Green / Yellow	
N.W. (g)	140±10(725H) / 470± 10(725H-M)	



AR-725H

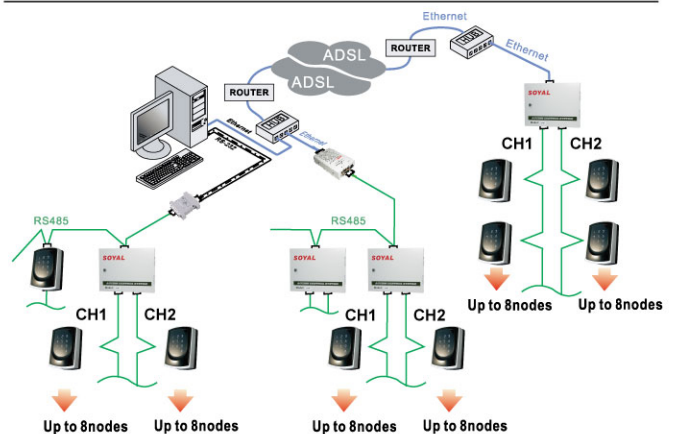
Stand-Alone

Networking

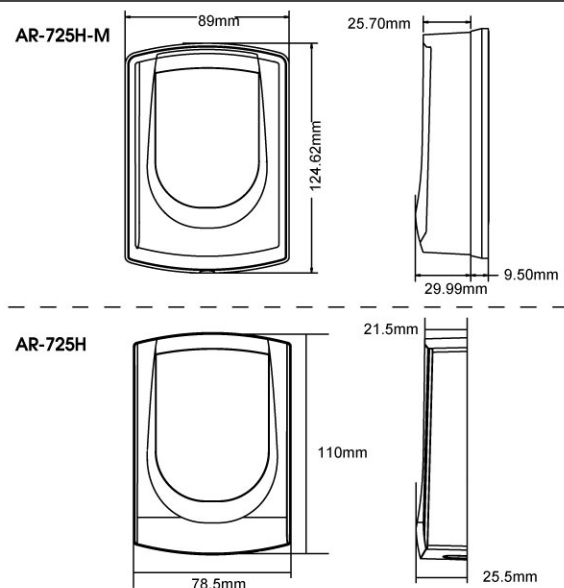
MIFARE®

125kHz

System Architecture



Dimension



Options

Access Mode

- M4** - - - - Card only, Card+9-digit PIN, 9-digit PIN Only
(9-digit PIN = 5-digit User Address + 4-digit Individual PIN)
- M6** - - - - Card only, Card+4-digit Public PIN, 4-digit Public PIN Only
- M8** - - - - Card only, Card + 4-digit Individual PIN, 4-digit PIN Individual Only

Product Selection and Part Number (How To Order)

Item No. AR-7XX

Housing	RF Frequency	RTC	Communication	Waterproof	Color	Type
E/EI=Controller+Reader / Ethernet (Optional)	A= Don't Care(TTL) B=125 kHz C=13.56MHz (MIFARE UID only)	R=Built-in RTC X=Without RTC	0=None 1=RS485 2=RS232 3=Wiegand 4=ABA 5=Ethernet 6=Blue Tooth 7=GSM 8=USB 9=1394	N=No 1=Weatherproof 2=Waterproof	1=Silver 2=Gray 3=Blue 9=Red B=Black G=Green O=Orange P=Pearl White Y=Yellow	0=OEM 1=English/Chines (STD) 2=Chinese 3=Metal Frame
U=Reader	D=13.56MHz(MF1) +Purse					
K=Keypad	E=13.56MHz(SL1)					
P=Programmer	F=13.56(ISO 15693)					
W=Card holder						
D=Lock						